



.....
 Universal Infra Red code Emitter with built in 2A current sensor and 10 Macros (each accept 50 IR codes) with built in cyclic function. The innovative current sensor Idea check if the electronic equipments is running or is turned off to prevent sending Power Toggling IR code as example. Each module Can save up to 255 IR codes then can be used for Home theater equipment, HVAC, Media systems at living rooms, Curtains control, and several other devices. Built in Current Range to Enable checking of 2 Device Operation
 **Added function: Bigger screw terminals, Broadcast button, and mini USB firmware upgrade port.

technical data



Universal Codes

IR Emitter can save up to 255 universal unique IR codes.
 Macro IR Code delay between 0.1 sec-10 Hours

Current Sensor

Accept 2A Maximum Load, to detect Media equipment operation. (2 Device Current range Logical Check Enabled)

Macro Function

Built in 10 Macros (Each accept 50 IR Codes) with multi systems, Cyclic Start point ability. And Delay between IR Codes. (e.g. Watch DVD, Listen to Music, Watch TV)

Control IO

1 x Advanced RS485 S-BUS serial port links (both train & screw link types)

Upgrade IO

1 x mini USB port (to connect to special programming board)

User Controls

- LED status indicator/channel
- Diagnostic LED+ BROADCAST

Programming

- Advanced Software Configuration & Programming

Compliance

CE Mark EMC
 ROHs, CPT, SABS

Operation Protection

- BUS Rv. Polarity Protection
- BUS Short Circuit Protection

Applications

The IR Emitter has successfully proved its ability in control of many 3rd party IR controlled systems like: HVAC, Curtains, Drapes, TV's, DVD's, Set Top Sat Boxes, Stereo equipment, AV receivers, Projectors...etc.

IR code learning

Must use SBIRL-kit "IR-learner" to encode all devices IR needed.

SBUS DC Supply

24VDC with flexible tolerance between 8-36VDC. Flexible ability to add power supply as to be needed any where
 Power consumption: 15mA

Installation

- universal Mount Ready

Operating Environment

0° to 45°C ambient temperature
 20% to 93% RH

Enclosure material

APS Polycarbonate,

Dimensions & Weight

W 46mm x L 46mm x H 16mm
 Packed weight 0.08 kg



control compatibility



- all standard universal IR enabled equipment (that can be controlled using IR signals) Like Split AC, TV, DVD, Projector, Motorized Blinds & Projection Screens ++



commercial

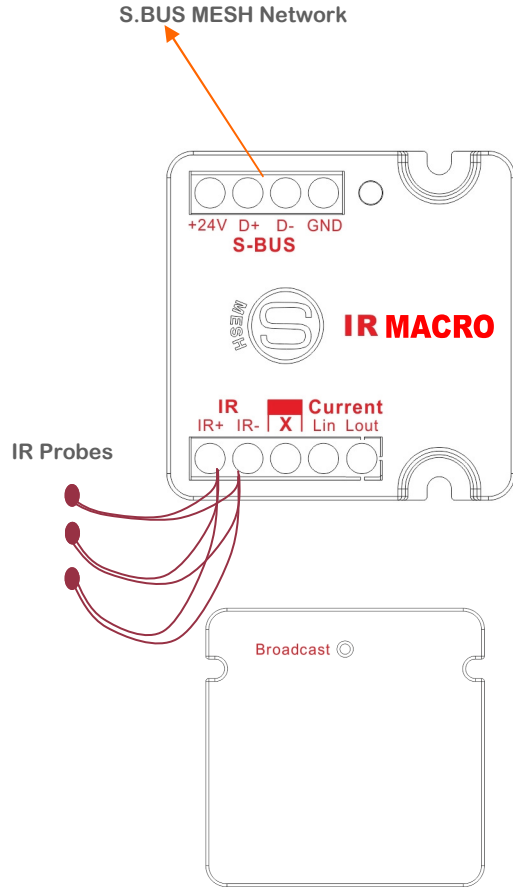


GTIN (UPC-EAN): 0610696254993
 Patent P. No: 201110123081.0

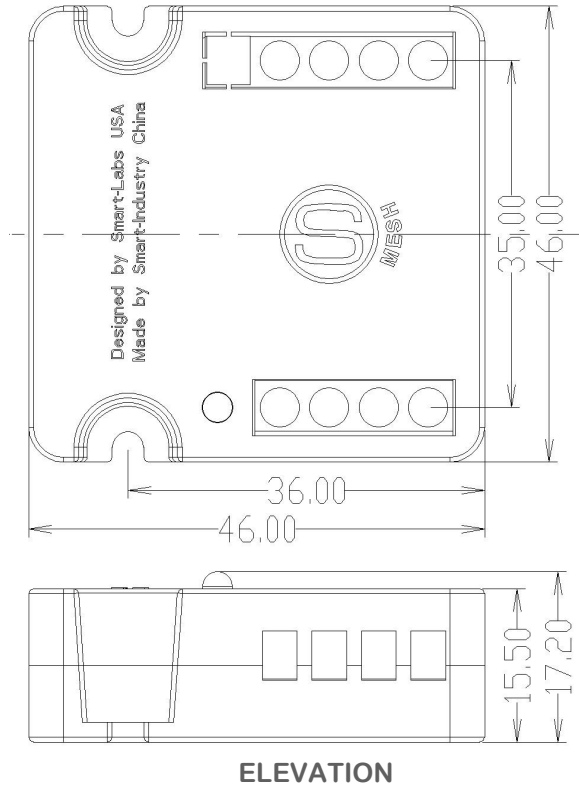


0 610696 254993

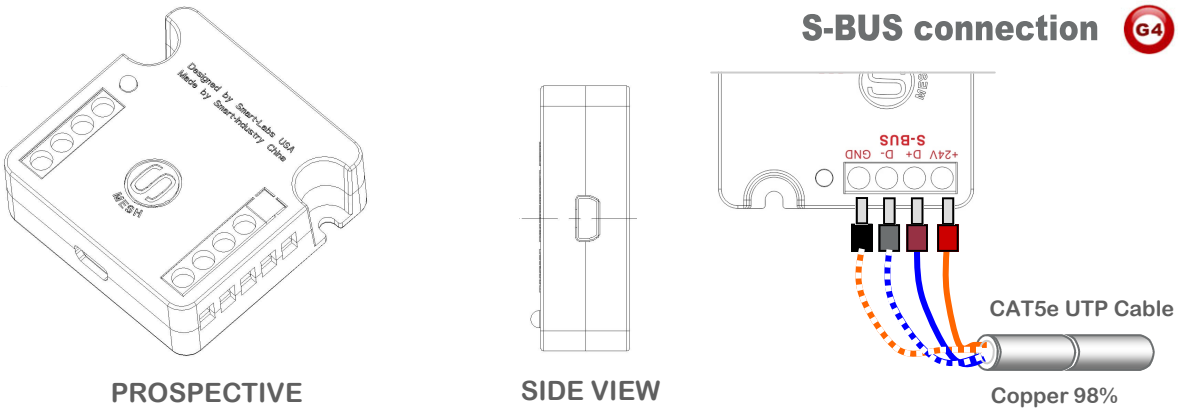
connection diagram



mounting dimensions



S-BUS connection



UTP core colors

S.BUS +24V		orange
S.BUS GND		w/orange
S.BUS D+		blue
S.BUS D-		w/blue
Spare		green
Spare		w/green
Spare +12v		brown
Spare -12V		W/brown



www.smarthomebus.com • info@smarthomebus.com
USA - Germany - Denmark - Hong Kong - Jordan - China - UAE

SB-G4 Data Sheet Rev 2.0 released Dec.2012

Specifications subject to change without notice. © Smarthome® -Group Trading as Smart-BUS®. Texas 77043 - USA. All rights reserved. Smart Mesh®, Smarthome BUS® and all other associated logos are the registered trademarks of Smart-Group®. Not to be used nor reproduced without written permission. All Patents and IPO's Remain owned by

