



Universal Infra Red code Emitter with built in 2A current sensor and cyclic function. The innovative current sensor idea check if the electronic equipments is running or is turned off to prevent sending Power Toggling IR code as example. Each module Can save up to 255 IR codes then can be used for Home theater equipment, HVAC, Media systems at living rooms, Curtains control, and several other devices.

**Added function: Bigger screw terminals, Broadcast button, and mini USB firmware upgrade port.

technical data



Universal Coded

IR Emitter can save up to 255 universal unique IR codes

Current Sensor

Accept 2A Maximum Load, used usually to detect if equipment is operational or off, like TV, DVD, Set top Box ++

Macro Function

If used with SB-Logic2-DN, the following functionalities can be acquired: multi systems Macro ability, Cyclic Start point ability to reset macro even if changed manually by user using his remotes. (e.g. Watch DVD, Listen to Music, Watch TV)

Control IO

1 x Advanced RS485 S-BUS serial port links (both train & screw link types)

Upgrade IO

1 x mini USB port (to connect to special programming board)

User Controls

- LED status indicator/channel
- Diagnostic LED+ BROADCAST

Programming

- Advanced Software Configuration & Programming

Compliance

CE Mark EMC

Operation Protection

- BUS Rv. Polarity Protection
- BUS Short Circuit Protection

Applications

The IR Emitter has successfully proved its ability in control of many 3rd party IR controlled systems like: HVAC, Curtains, Drapes, TV's, DVD's, Set Top Sat Boxes, Stereo equipment, AV receivers, Projectors...etc.

IR code learning

Must use SBIRL-kit "IR-learner" to encode all devices IR needed.

SBUS DC Supply

24VDC with flexible tolerance between 8-32VDC. Flexible ability to add power supply as to be needed any where
Power consumption: 15mA

Installation

- universal Mount Ready

Operating Environment

0° to 45°C ambient temperature
20% to 93% RH

Enclosure material

Polycarbonate,

Dimensions & Weight

W 46mm x L 46mm x H 16mm
Packed weight 0.06 kg



control compatibility



- all standard universal IR enabled equipment (that can be controlled using IR signals)



commercial



GTIN (UPC-EAN): 0610696253774
Patent P. No: 201110123081.0

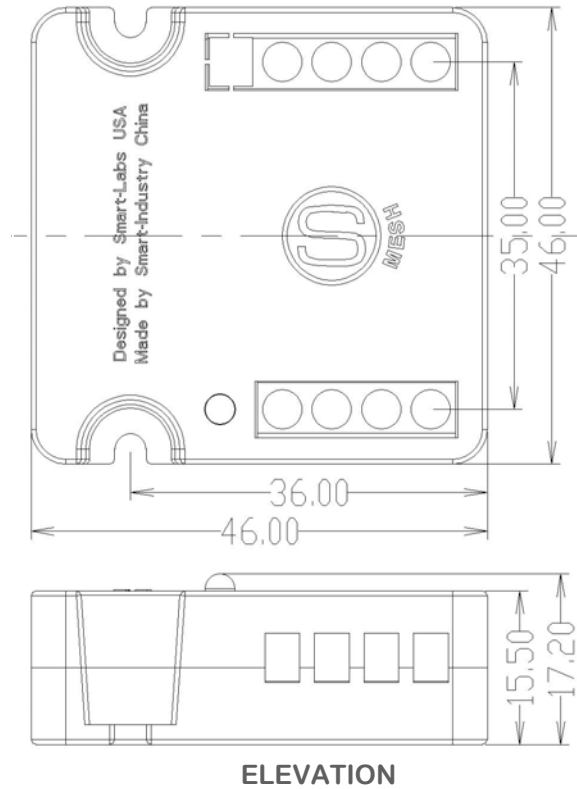
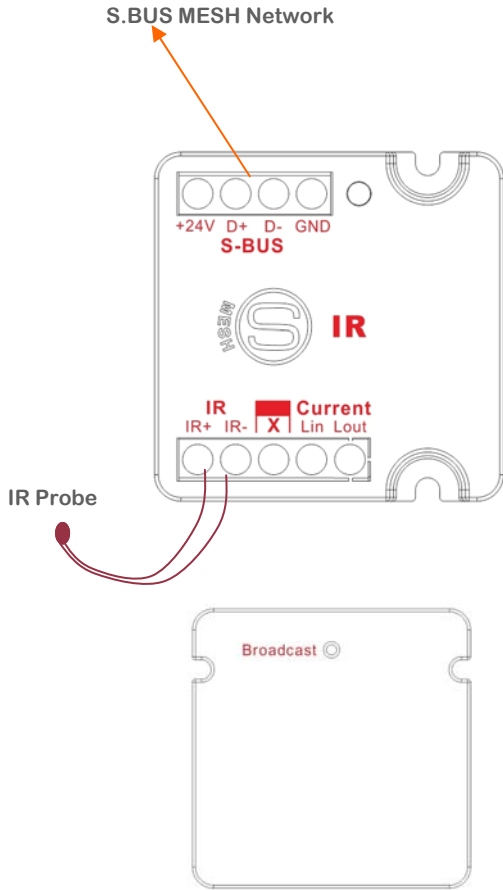


0 610696 253774

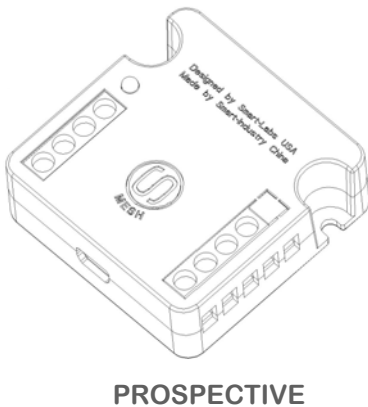


connection diagram

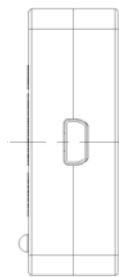
mounting dimensions



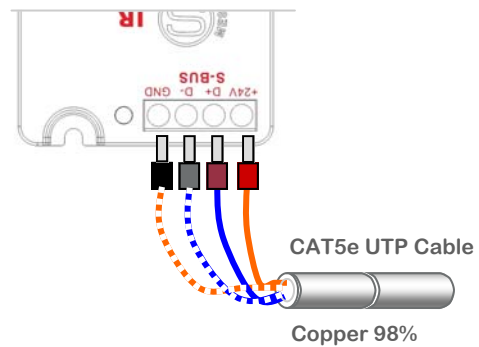
S-BUS connection



PROSPECTIVE



SIDE VIEW



UTP core colors

S.BUS +24V		orange
S.BUS GND		w/orange
S.BUS D+		blue
S.BUS D-		w/blue
Spare		green
Spare		w/green
Spare +12v		brown
Spare -12V		W/brown



www.smarthomebus.com • info@smarthomebus.com
USA - Germany - Denmark - Hong Kong - Jordan - China - UAE

SB-G4 Data Sheet Rev 1.0 released Sept 2011

Specifications subject to change without notice. © Smarthome® -Group Trading as Smart-BUS®, Texas 77043 - USA. All rights reserved. Smart Mesh®, Smarthome BUS® and all other associated logos are the registered trademarks of Smart-Group®. Not to be used nor reproduced without written permission. All Patents and IPO's Remain owned by SmartHome® Group